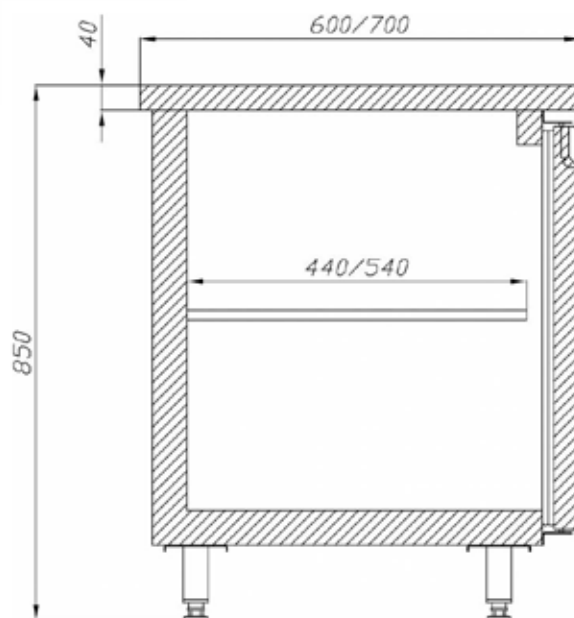






## Freezing Working Tables - J-JK-74-3



J-JK-74-3\*



### Technical parameters:

Models	Dimension (ext.)			Capacity [dm <sup>3</sup> ]	Power Consumption [kWh/24h]	Weight [kg]	Doors Drawers options
	H x W x D [mm]	Doors	Shelves Drawers				
J-JK-74 1.9	850 x 1870 x 700	3	3	480	4,60	150	
J-JK-74 1.9 2DRW	850 x 1870 x 700	2	2	480	4,60	150	
J-JK-74 1.9 4DRW	850 x 1870 x 700	1	1	480	4,60	150	
J-JK-74 1.9 6DRW	850 x 1870 x 700	0	0	480	4,60	150	

\* - Picture above presents unit with either some or all available extras. Please note that the look of basic version of cabinet, or one of your choice, may vary from presented.

## Freezing Working Tables - J-JK-74-3



**J-JK-74-3\***

### Description:

- temperature range -18 / -22°C
- preferred ambient temperature +16 / +25°C
- power supply 230V / 50Hz
- internal condensing unit placed on the bottom
- interior and body made of stainless steel
- stainless steel worktop (40mm thick)
- electronic control with temperature display
- automatic defrost and evaporation system
- forced air circulation
- 1 year full warranty service and after warranty service provided

### Available options:

- granite worktop 30mm thick - optional colours
- additional shelf with guide

### Optional colours:

Granites:



Impala

Rosa Porino

Strzegom

\* - Picture above presents unit with either some or all available extras. Please note that the look of basic version of cabinet, or one of your choice, may vary from presented.